

HOT AIR DUCTING SYSTEM

A Fan 500 M3/H Thermostatic

B Flexible Aluminum Ø 150

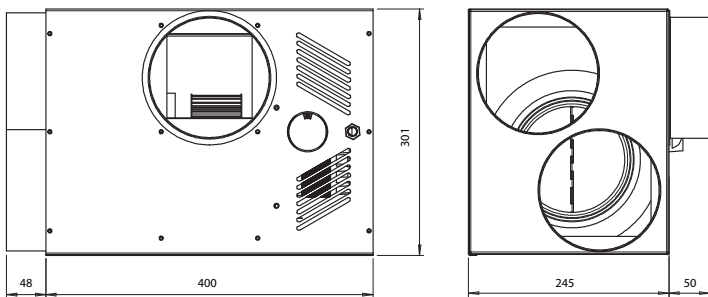
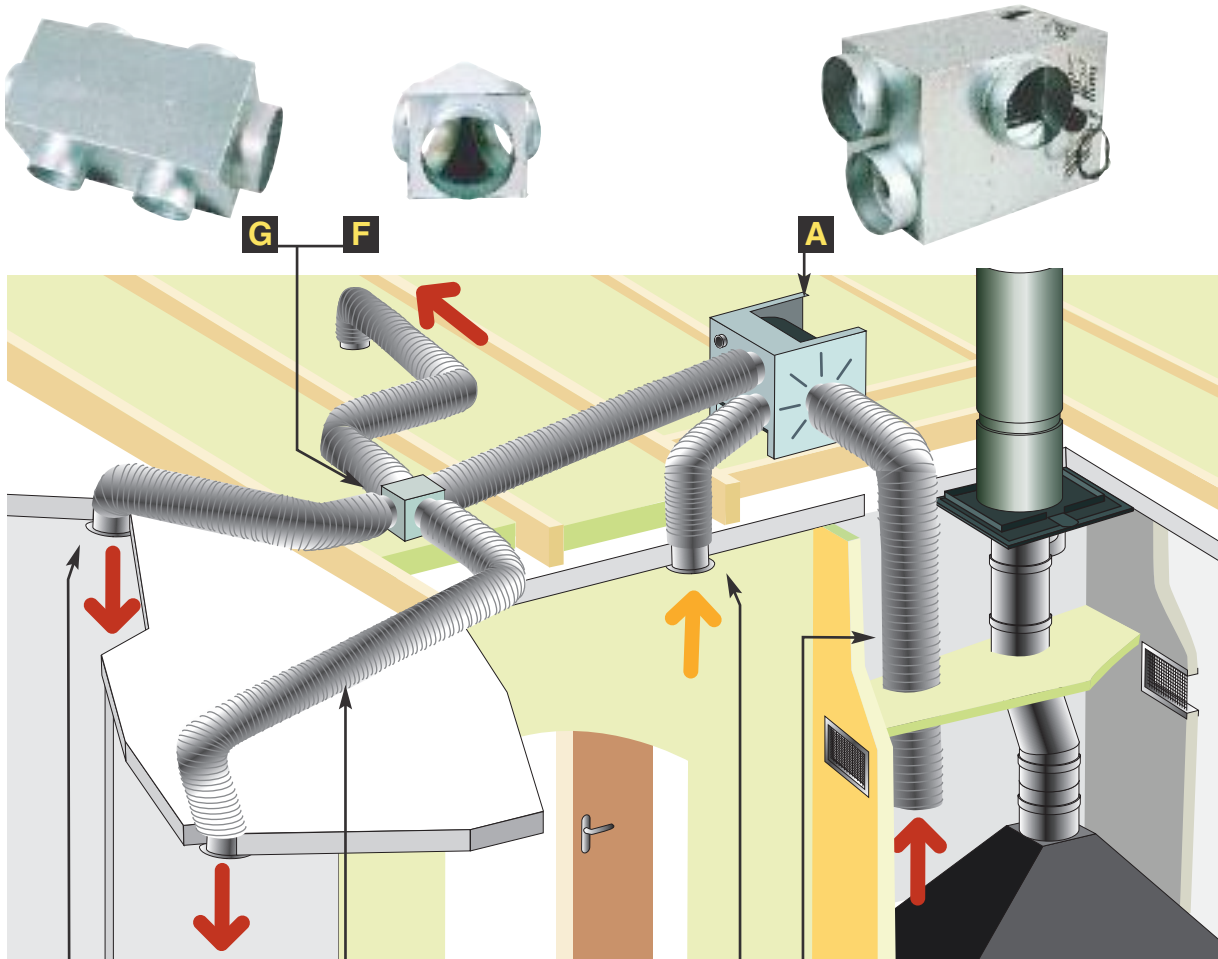
C By-pass ambient air intake vent

D Flexible duct insulated Ø 150 inner / Ø 220 outer

E Round Ceiling diffuser adjustable

F Diffusion Box 2 rooms

G Diffusion Box 5 rooms



- 1** Thermostat adjustable 0° to 60° C
- 2** Hot air outlet
- 3** Hot air intake from fireplace
- 4** Hot air intake from room (By Pass)

NSW Head Office & Showroom :

396 Princes Highway ST PETERS NSW 2044 tel 02 9550 6290

Email : curlines@bigpond.net.au

Chazelles