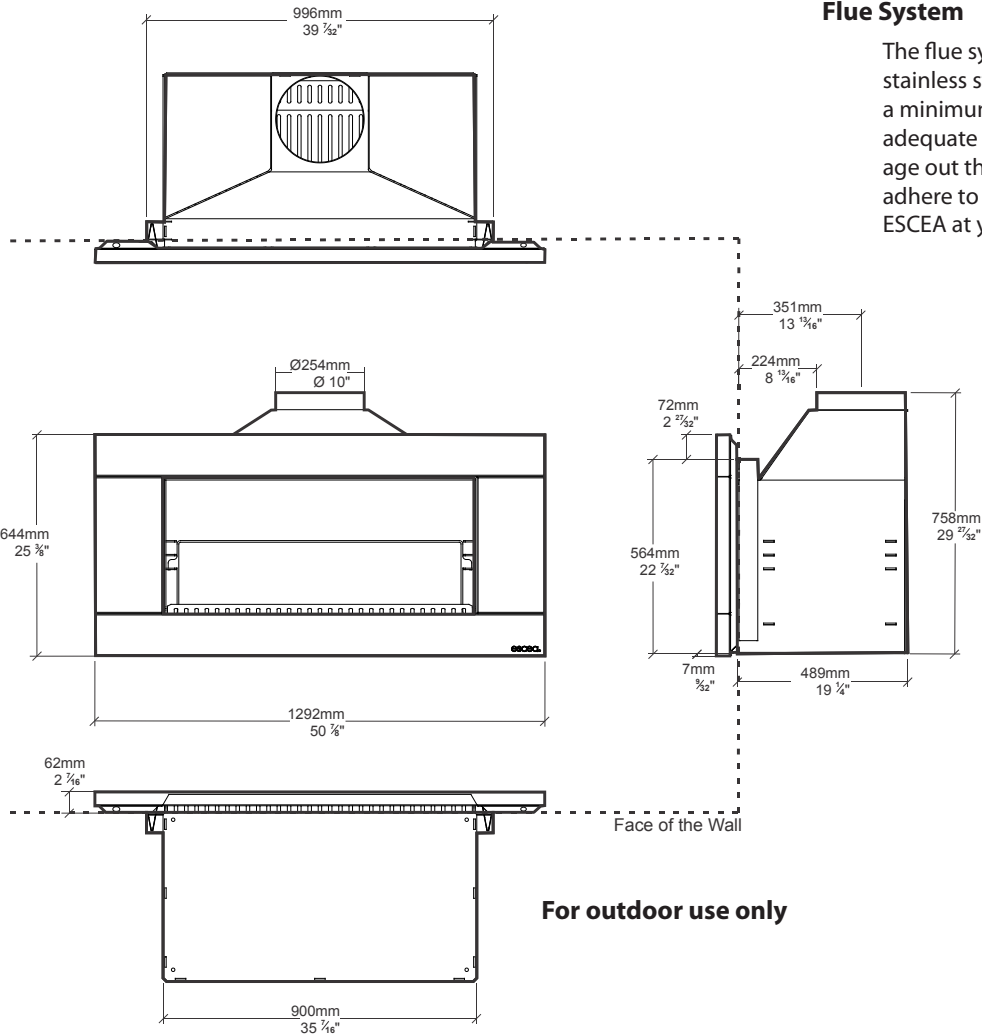




For further information or specifications, visit the technical section of our website [www.escea.com](http://www.escea.com) to view the latest product Installation Manual.

**Appliance Information**



**Flue System**

The flue system requires the use of 250mm Ø (9 7/8") stainless steel flue and cowl. It is recommended to use a minimum of 3.6 meters (11 3/4 ft) of flue to create adequate draw and reduce the amount of smoke spillage out the front of the fireplace. Flue clearances must adhere to local codes. Flue parts can be provided by ESCEA at your local ESCEA retailer/supplier.

**For outdoor use only**

**Cavity Dimensions**

The diagram to the right shows the recommended dimensions for the EW5000 cavity. Where possible, it is recommended that the cavity is made slightly larger than the dimensions shown to give the installer the maximum amount of space to work in.

Note: The firebox does not slide in through this opening and has to be installed before the bricklaying is finished.

Any combustibles in front of the fireplace need to be no less than 3 meters (9 7/8 ft) from the opening of the fire and 500 mm (19 3/4") to each side. The fireplace must not be recessed.

